



ARDMOR™
WINDOWS & DOORS

OKNOPLAST

PREMIUM QUALITY WINDOWS AND DOORS

**MORE FEATURES FOR ALUMINIUM
WINDOWS AND DOORS**



more
OKNOPLAST

OKNOPLAST is definitely... more.
Experience a new level of quality with our aluminum solutions. Our passion and experience allow us to offer products that meet the highest expectations. Our Tilt&turn windows, storefront windows, sliding patio doors, and front doors are made from the highest quality aluminum and are optimized for energy efficiency. This not only helps reduce heating bills but also benefits the environment. Our products provide excellent thermal and acoustic insulation, making your place a haven of peace and comfort. OKNOPLAST extends beyond windows; it's a dedication to enhancing living standards through our premier aluminum solutions, where quality, energy efficiency, and comfort seamlessly converge.

TABLE OF CONTENTS

Who we are	4
Key facts	5
What makes our products DIFFERENT?	6
ALUMINIUM WINDOWS	10
ALUMINIUM PATIO DOORS	18
ALUMINIUM FRONT DOORS	50
ALUMINIUM STOREFRONT	62





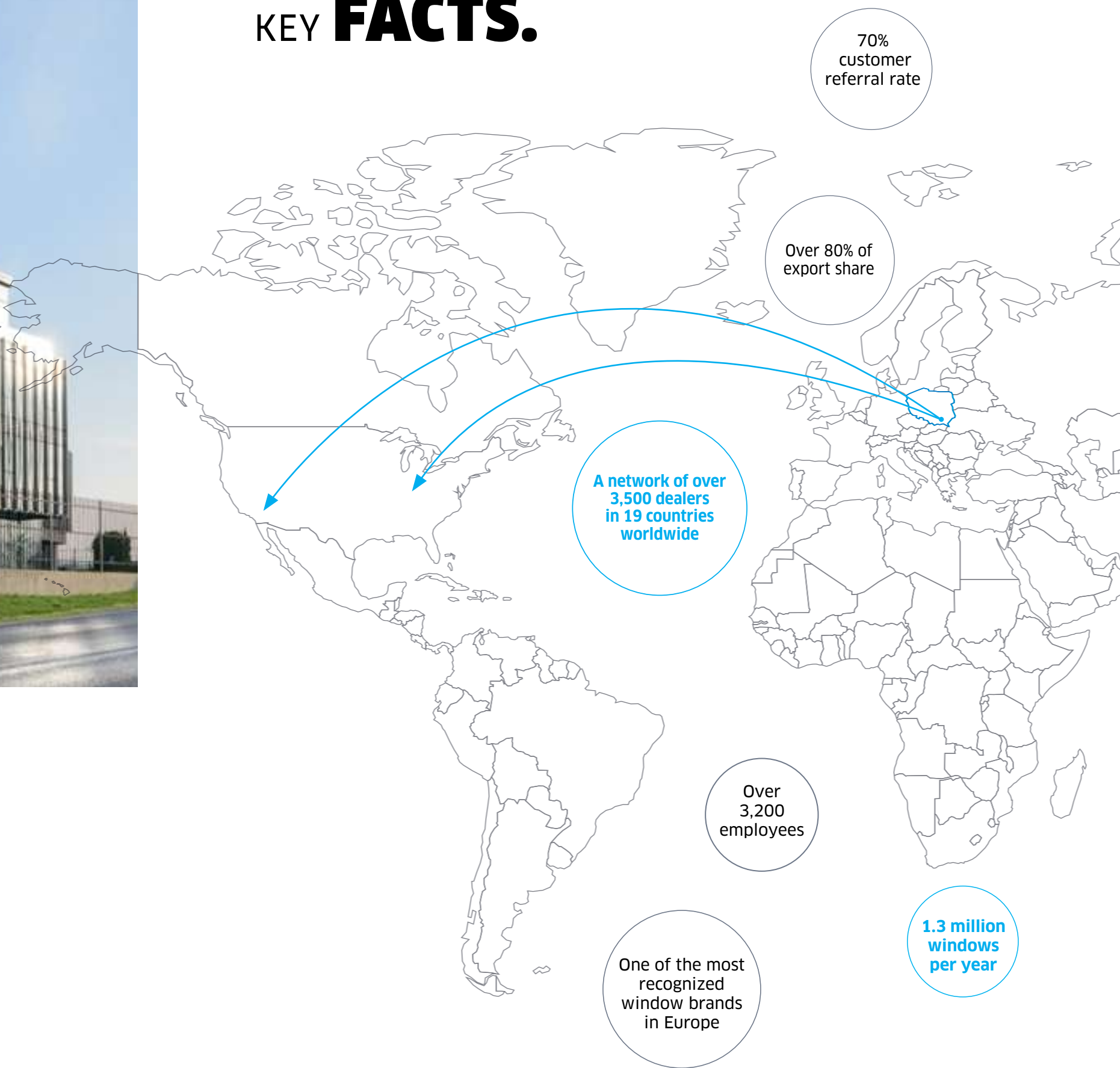
WHO WE ARE.

**Passion for Creation.
The latest technological solutions.
Design focused on changing needs.**

OKNOPLAST is one of the leading window & door brands in Europe, providing both residential and commercial high-performance products. With a strong position in the European market, we are reaching overseas to bring new premium-quality windows and doors to American customers.

More Features For Windows. The OKNOPLAST philosophy. As one of few, OKNOPLAST offers original solutions, only available under its own brand name. The products are advanced, energy efficient solutions, crafted with great precision and epitomize the aesthetic of unique workmanship. Windows and doors manufactured by OKNOPLAST meet both the highest quality, and ecological standards.

KEY FACTS.



WHAT MAKES OUR PRODUCTS **DIFFERENT?**



EXCLUSIVE PREMIUM WINDOWS AND DOORS.

Our windows and doors are exclusively engineered and designed for the best performance and look.



CUSTOMIZATION.

We customize shape, color, and other unique features based on customer needs.



HIGH QUALITY.

Strict manufacturing standards and high quality components make our windows and doors the first choice for customers with high expectations.



HIGH PERFORMANCE AND FUNCTIONALITY.

Our windows go above and beyond. Even our standard windows exceed customer expectations in performance and functionality.



DISCOVER MORE
FEATURES FOR **ALUMINIUM**
WINDOWS AND TAKE YOUR
HOME TO THE **NEXT LEVEL.**

FEATURES
THAT MAKE YOUR LIFE
more **SIMPLE.**

VENTILATION.
CLEANING.
EASY-TO-USE HANDLE.
BETTER FIT.

FEATURES
THAT MAKE YOUR LIFE
more **SAFE.**

INCREASED SECURITY.
PROTECTION AGAINST INSECTS.
SECURE AUTOMATIC DOOR LOCK.
WINDOW BLOCKAGE.

FEATURES
THAT MAKE YOUR LIFE
more **BEAUTIFUL.**

MODERN DESIGN.
PERSONALIZED SHAPE.
FLEXIBLE DIMENSION.
COLORS.

FEATURES
THAT MAKE YOUR LIFE
more **EFFICIENT.**

NOISE REDUCTION.
SUN PROTECTION.
HEAT TRANSFER COEFFICIENT.
SUSTAINABLE DEVELOPMENT.





MIRU EVO STEEL windows



MIRU EVO STEEL windows

DISCOVER MORE FEATURES
FOR **ALUMINIUM WINDOWS**
AND TAKE YOUR HOME TO THE **NEXT LEVEL.**

 SOUND TRANSMISSION CLASS

 MODERN DESIGN

 SMART SOLUTION

 EASY VENTILATION

 THERMAL TRANSMITTANCE

 DIFFERENT SHAPES

 EASY OPERATING HANDLE

 SUN PROTECTION

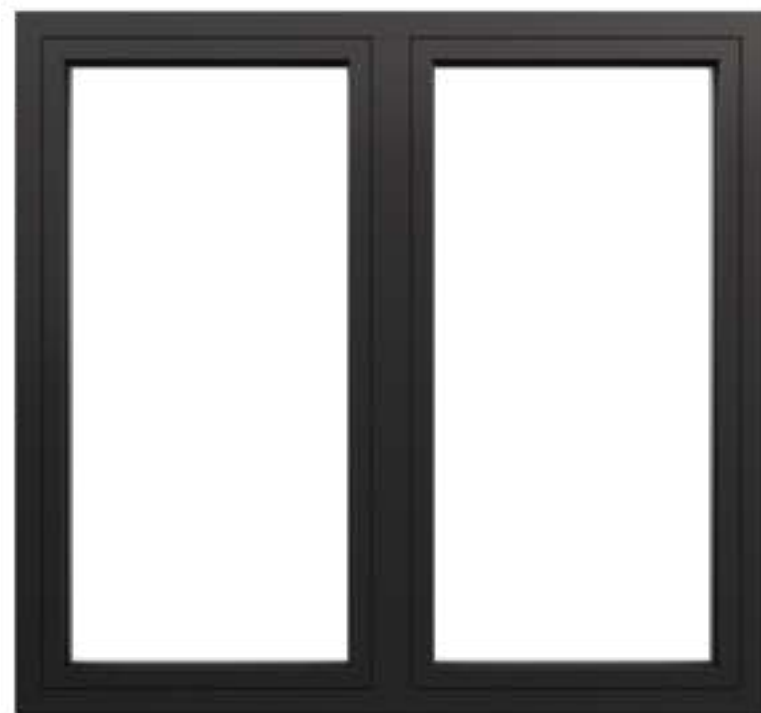
 HIGH QUALITY

 LARGE SIZE WITH A CLEAR VIEW

 EASY CLEANING

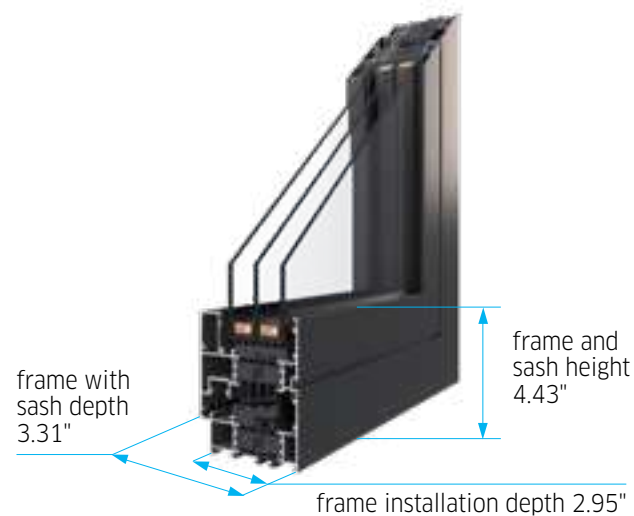
 WINDOW SCREENS

ALUMINIUM WINDOWS.



MIRU EVO STANDARD

The **MIRU EVO STANDARD** window and door system sets a new standard in window insulation while offering excellent user ergonomics and a modern profile aesthetic. The system's high rigidity allows for the construction of large windows and storefronts, even in areas with high wind loads.



- Exceptional thermal insulation
- Third seal
- Integrated nailing fin with mounting holes

MAXIMUM SASH HEIGHT*
5'3"

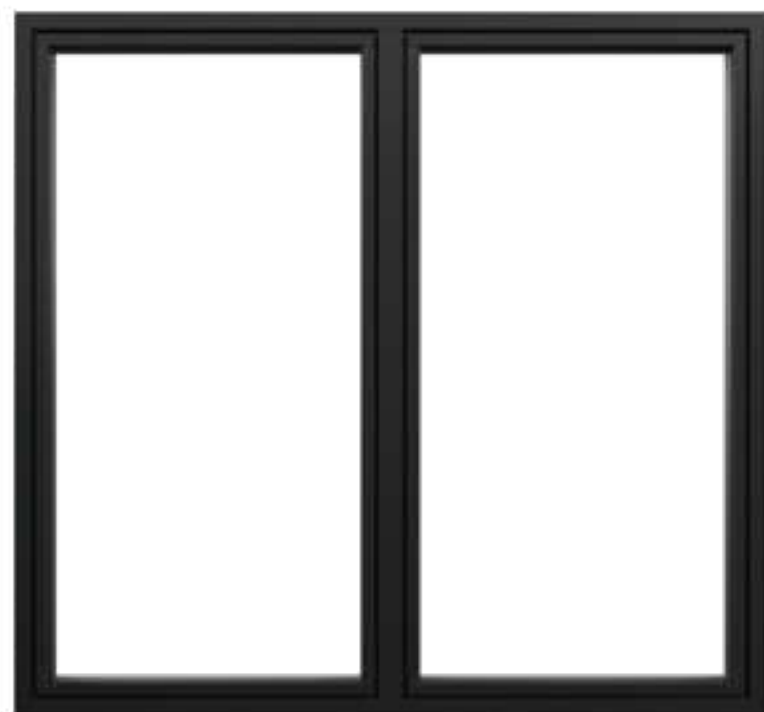
MAXIMUM SASH WIDTH*
9'10"

*maximum sash area 32.29 ft²



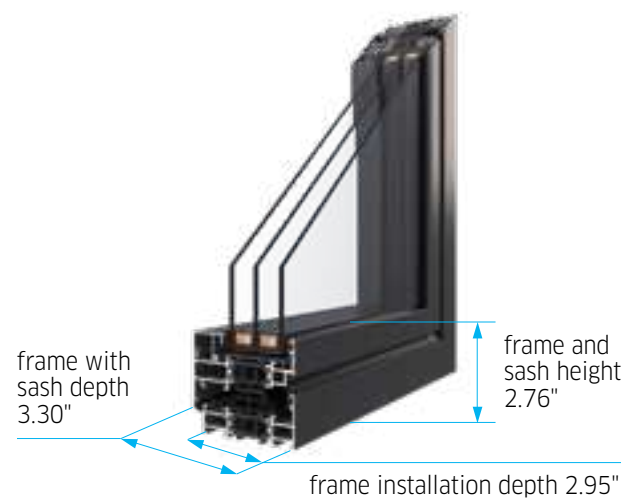
MIRU EVO STANDARD window

ALUMINIUM **WINDOWS.**



MIRU EVO MODERN

With sleek, slender profiles reminiscent of steel construction, they add an industrial and contemporary charm to your interiors. These windows offer both exceptional thermal comfort and a stylish, modern design. With a sturdy construction that boasts a 3-inch frame depth, you can be confident in their durability.



- Smallest profile in its class
- Maximizes natural light
- Integrated nailing fin with mounting holes

MAXIMUM SASH HEIGHT*
4'11"

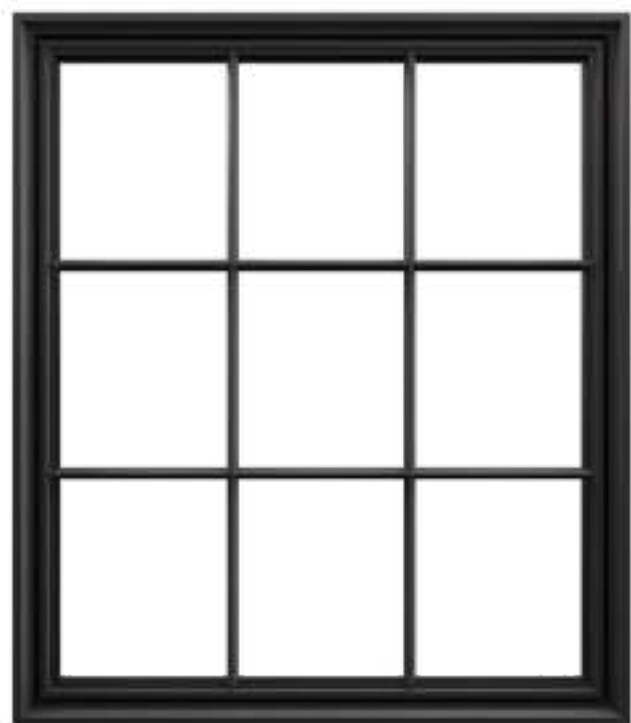
MAXIMUM SASH WIDTH*
8'6"

*maximum sash area 32.29 ft²



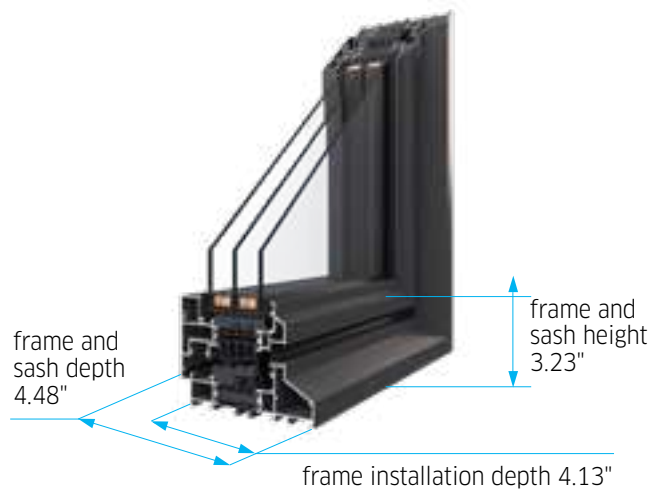
MIRU EVO MODERN window

ALUMINIUM **WINDOWS.**



MIRU EVO STEEL

This exceptional design is inspired by the aesthetics of traditional steel windows and the character of lofts and industrial buildings. With a 3-inch frame depth, our windows ensure durability and efficient thermal performance.



- Unique design
- Inspired by traditional steel windows
- Tailored for industrial and loft construction



MAXIMUM SASH HEIGHT*
5'3"



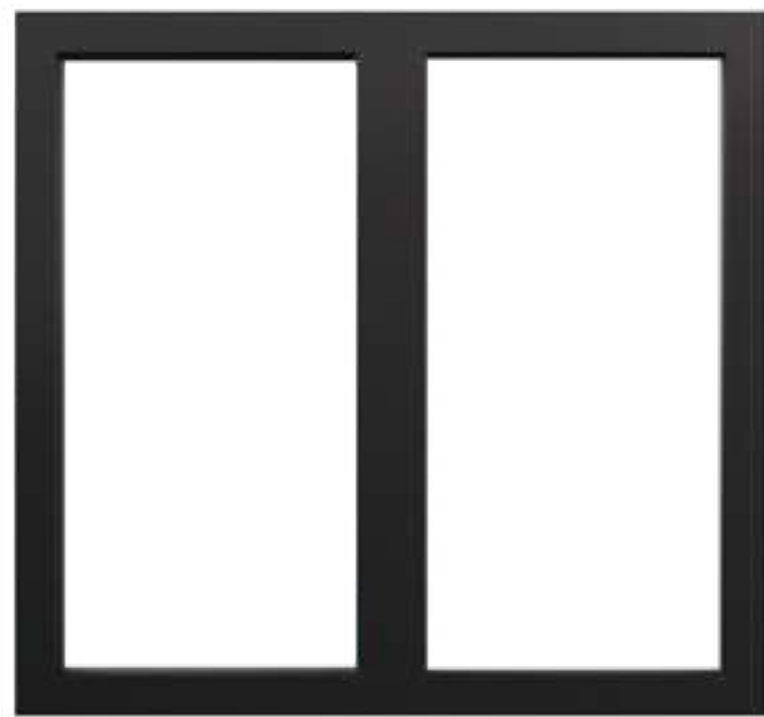
MAXIMUM SASH WIDTH*
9'6"

*maximum sash area 32.29 ft²



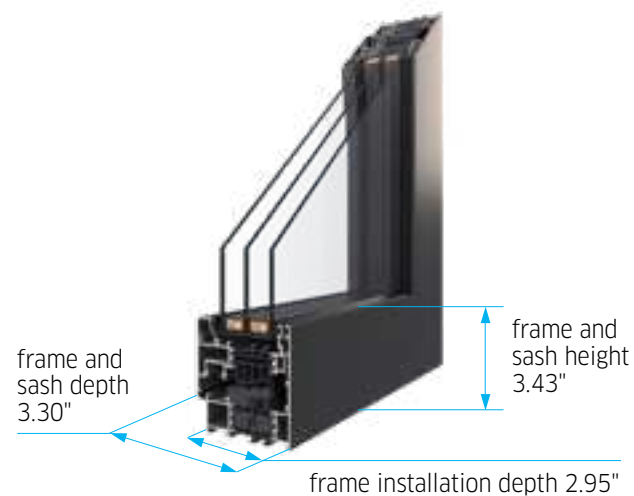
MIRU EVO STEEL window

ALUMINIUM **WINDOWS.**



MIRU EVO HIDDEN

Discover our innovative window system with excellent thermal insulation and a captivating design. It Window stands out with its extraordinary appearance, featuring a specially designed frame that conceals the sash for a seamless glass surface resembling fixed glazing. With a solid 3-inch frame depth, durability and strength are guaranteed.



- Invisible opening sash from the outside
- Consistent appearance from all sides
- Balcony doors available

MAXIMUM SASH HEIGHT*
4'3"

MAXIMUM SASH WIDTH*
8'6"

*maximum sash area 32.29 ft²



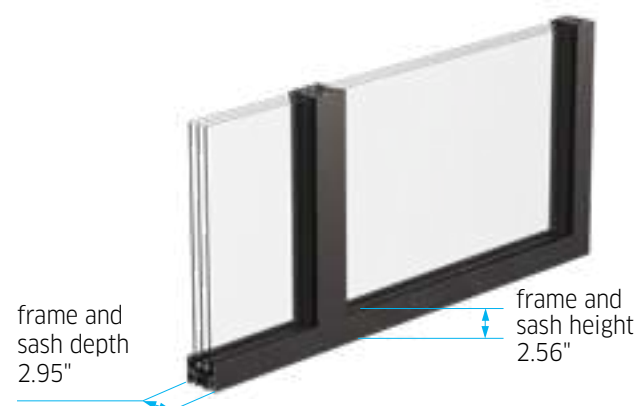
MIRU EVO HIDDEN window

ALUMINIUM WINDOWS.



MIRU EVO STOREFRONT

MIRU EVO STOREFRONT aluminum systems offer an ideal solution for architects and builders looking for effortless installation, limitless design potential and unmatched performance. Our systems seamlessly meet your unique specifications while providing exceptional air tightness and thermal insulation.



- Compatible with **MIRU EVO STANDARD**
- Wide range of design options



MAXIMUM SINGLE GLASS DOOR SIZE
4'3" x 9'



MULLION MINIMUM WIDTH
3.1"



MAXIMUM SASH HEIGHT*
5'3"



MAXIMUM SASH WIDTH*
9'10"

*maximum sash area 32.29 ft²



MIRU EVO STOREFRONT

ALUMINIUM WINDOWS.



MIRU EVO STANDARD

- Exceptional thermal insulation
 - Third seal
- Integrated nailing fin with mounting holes



MIRU EVO MODERN

- Smallest profile in its class
 - Maximizes natural light
- Integrated nailing fin with mounting holes



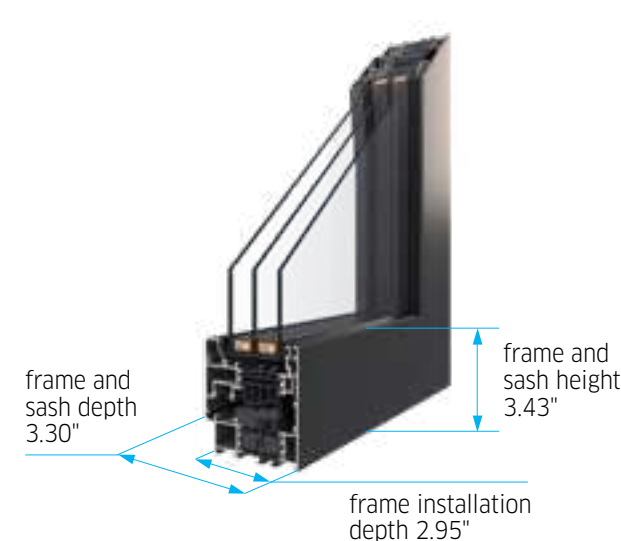
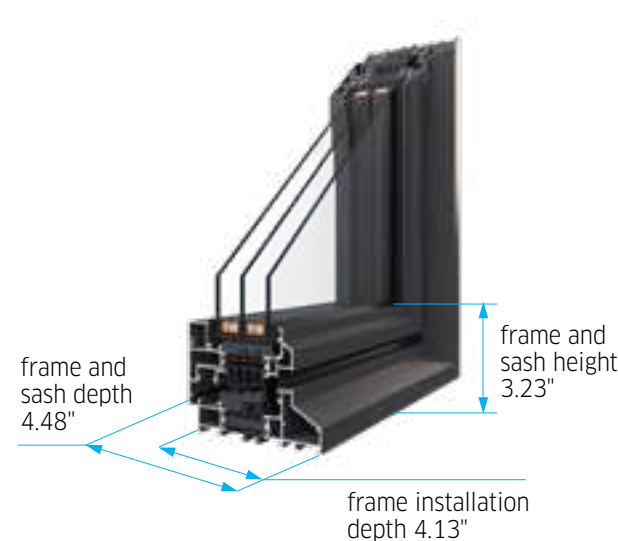
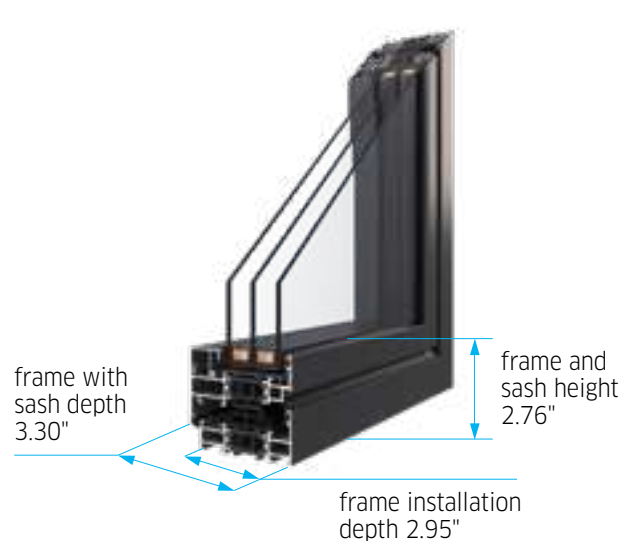
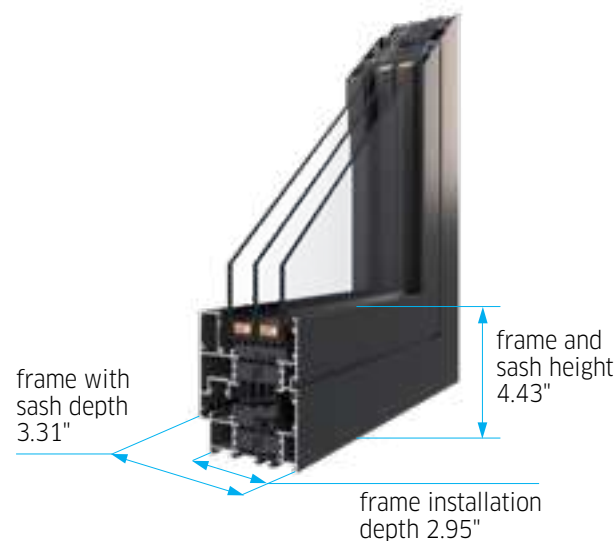
MIRU EVO STEEL

- Unique design
 - Inspired by traditional steel windows
- Tailored for industrial and loft construction



MIRU EVO HIDDEN

- Invisible opening sash from the outside
 - Consistent appearance from all sides
 - Balcony doors available



MAXIMUM SASH HEIGHT*
5'3"

MAXIMUM SASH WIDTH*
9'10"

MAXIMUM SASH HEIGHT*
4'11"

MAXIMUM SASH WIDTH*
8'6"

MAXIMUM SASH HEIGHT*
5'3"

MAXIMUM SASH WIDTH*
9'6"

MAXIMUM SASH HEIGHT*
4'3"

MAXIMUM SASH WIDTH*
8'6"

*maximum sash area 32.29 ft²

*maximum sash area 32.29 ft²



ALUVIEW SKY+



ALUVIEW SKY

DISCOVER NEW **FEATURES**
FOR **PATIO DOORS**



LARGE DIMENSIONS
WITH A CLEAR
VIEW



SUN
PROTECTION



SMART
SOLUTION



DIFFERENT
SCHEMES



EASY
OPENING



SECURITY



NOISE
REDUCTION



LOW
THRESHOLD



HIGH
QUALITY



THERMAL
TRANSMITTANCE

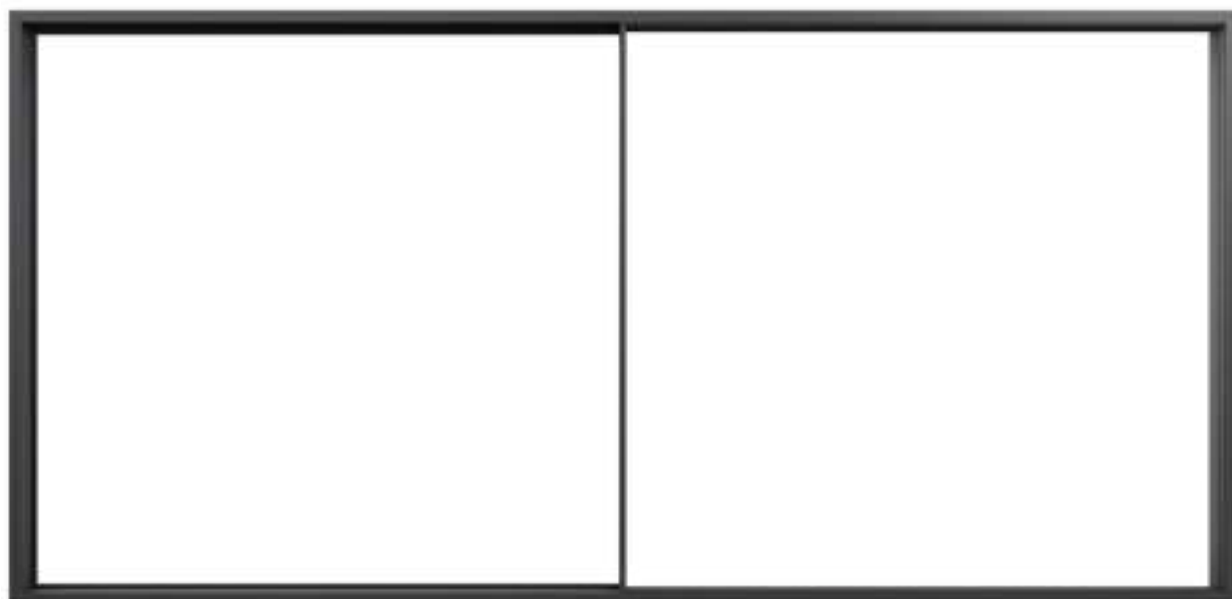


MOSQUITO
NET



MODERN
DESIGN

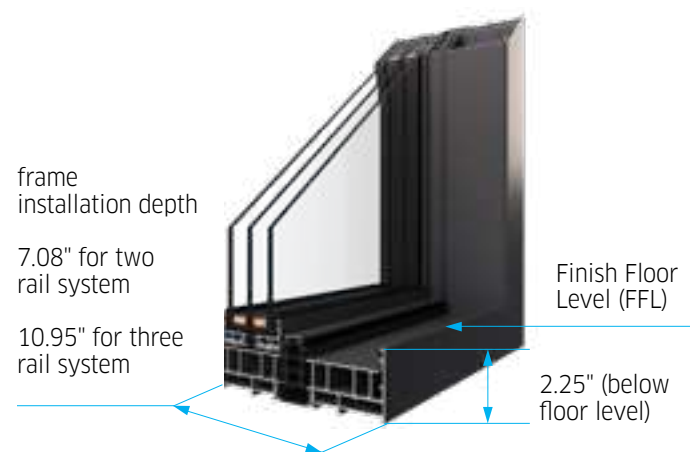
ALUMINIUM PATIO DOOR.



ALUVIEW SKY+

Experience modern elegance with the **ALUVIEW SKY+** sliding door system. It adds a touch of minimalism to any structure with its invisible frame and sleek, narrow profiles. Enjoy a seamless transition between indoor and outdoor living spaces and effortlessly integrate nature into your daily life.

- Triple glazing system
- Narrow 1" mullion
- Glandage system (sash retracts into the wall)
- Concealed "0" threshold with integrated drainage system (optional)



- MAXIMUM SASH WEIGHT**
up to 880 lbs (manual drive)
up to 1540 lbs (automatic drive)
- INTERLOCK WIDTH**
1"
- ADA STANDARDS COMPLIANT**
- MAXIMUM SASH HEIGHT***
13'1"
- MAXIMUM SASH WIDTH***
13'1"

*maximum sash area 139'



ALUVIEW SKY+

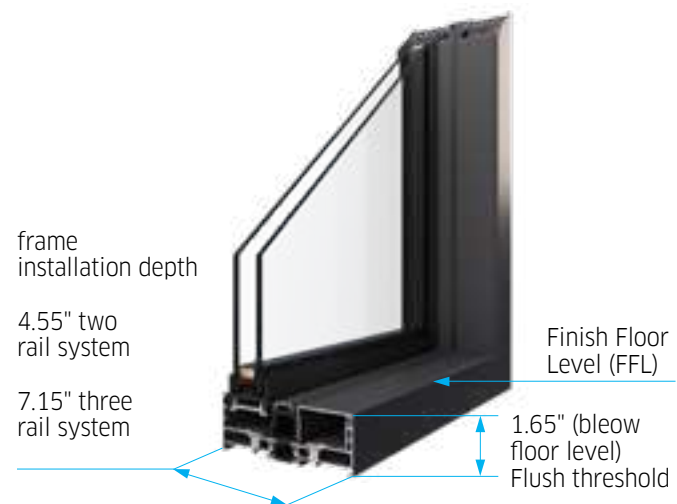
ALUMINIUM PATIO DOOR.



ALUVIEW SKY

ALUVIEW SKY exudes a modern and minimalist aesthetic with its invisible frame and slim profiles. It seamlessly connects your indoor and outdoor living spaces, blurring the lines between nature and everyday life. The slender construction of these doors conveys a sense of lightness and delicacy despite their impressive size.

- Double glazing system
- Very narrow 0.78" mullion
- Hidden frame in the wall



MAXIMUM SASH WEIGHT
up to 700 lbs

INTERLOCK WIDTH
0.79"

ADA STANDARDS COMPLIANT

MAXIMUM SASH HEIGHT
9'10"

MAXIMUM SASH WIDTH
8'2"



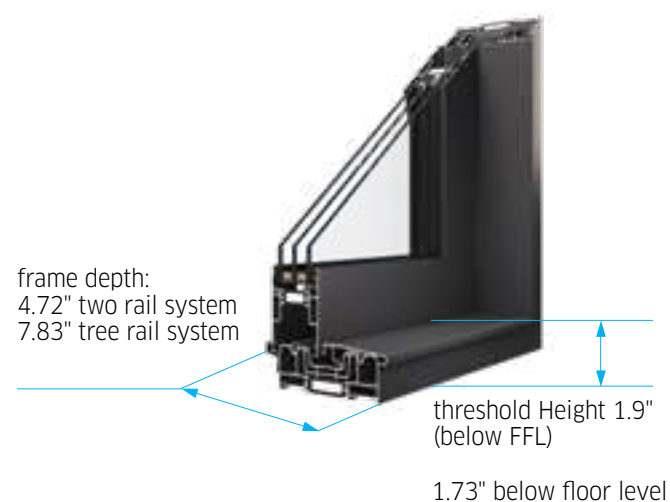
ALUVIEW SKY

ALUMINIUM PATIO DOOR.



ALUVIEW STANDARD

Experience the visual lightness of our lift and slide system, featuring noticeably narrower and lower profiles for a sleek aesthetic. Through the use of high-quality materials and technical solutions, our doors provide excellent thermal and acoustic protection. With sturdy yet slender profiles, we can construct low threshold doors with large dimensions.



- Narrow profiles
- Low threshold option available

MAXIMUM SASH WEIGHT
up to 660 lbs

MULLION WIDTH
4.51" standard
1.87" slim

ADA STANDARDS COMPLIANT

MAXIMUM SASH HEIGHT
8'11"

MAXIMUM SASH WIDTH
10'9"



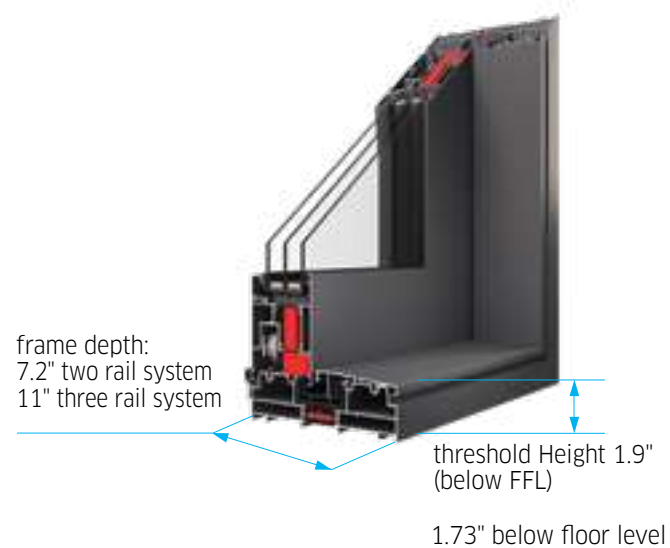
ALUVIEW STANDARD patio door

ALUMINIUM PATIO DOOR.



ALUVIEW PREMIUM

Our premium lift and slide system offers improved thermal insulation with a fiberglass reinforced thermal break. Build impressive doors with triple-glazed, sealed units as standard. Experience high levels of thermal and acoustic protection. Sturdy yet slim profiles allow for low threshold doors with large dimensions.



- Multi-track design options available
- Up to 4 single and 2 fixed sashes in one frame
- Exceptional thermal properties

MAXIMUM SASH WEIGHT
up to 880 lbs

MULLION WIDTH
4.52" standard
1.87" slim

ADA STANDARDS COMPLIANT

MAXIMUM SASH HEIGHT
10'7"

MAXIMUM SASH WIDTH
10'9"



ALUVIEW PREMIUM patio door

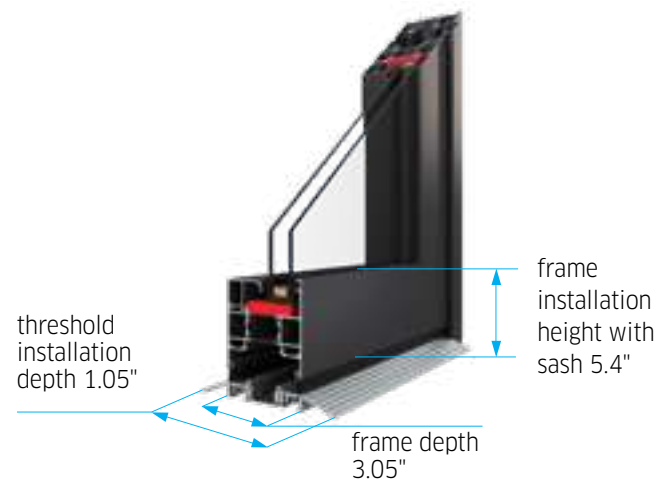
ALUMINIUM PATIO DOOR.



ALUVIEW FOLD

Discover limitless possibilities with our external folding doors. This solution offers unparalleled user freedom, seamlessly connecting the interior of your building with its surroundings. Whether you desire a seamless flow between your interior and terrace, a spacious passage from your house to the outside, or a connection between a café or restaurant and its seasonal outdoor area, our folding doors deliver.

- Up to 9 moving sashes
- Inward or outward opening
- ADA threshold available
- Doors customizable with handles and locks on both sides



 **MAXIMUM HEIGHT**
9'8"

 **MAXIMUM SINGLE SASH WIDTH**
3'9"



ALUVIEW FOLD patio door

ALUMINIUM PATIO DOOR.



ALUVIEW SKY+

- Triple glazing system
- Narrow 1" mullion
- Glandage system (sash retracts into the wall)
- Concealed "0" threshold with integrated drainage system (optional)

ALUVIEW SKY

- Double glazing system
- Very narrow 0.78" mullion
- Hidden frame in the wall

ALUVIEW STANDARD

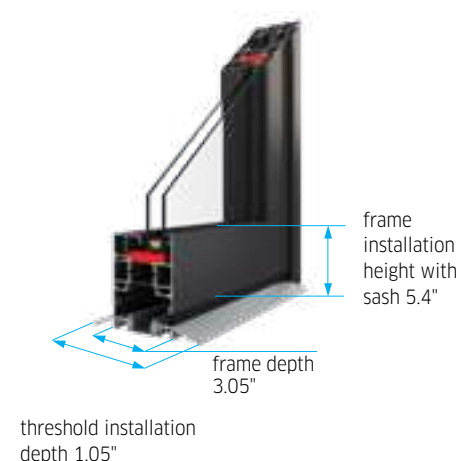
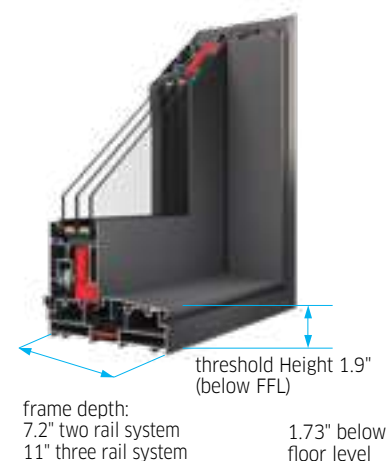
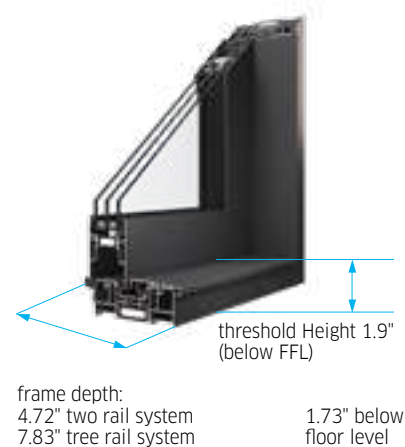
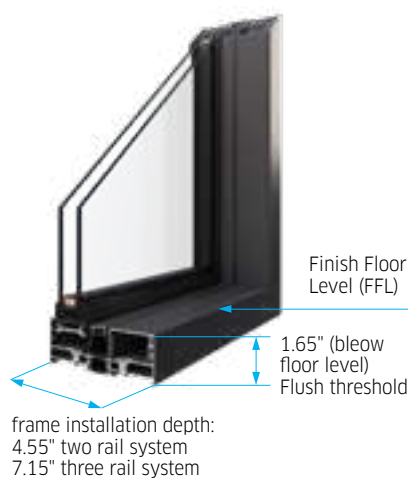
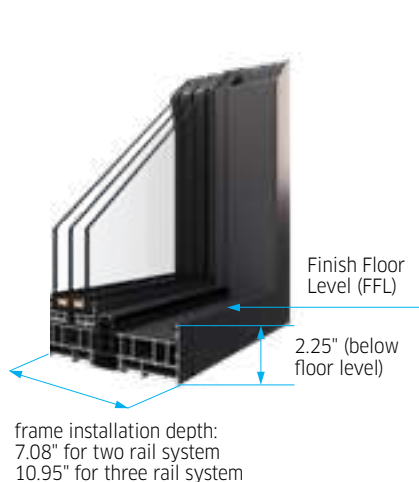
- Narrow profiles
- Low threshold option available

ALUVIEW PREMIUM

- Multi-track design options available
- Up to 4 single and 2 fixed sashes in one frame
- Exceptional thermal properties

ALUVIEW FOLD

- Up to 9 moving sashes
- Inward or outward opening
- ADA threshold available
- Doors customizable with handles and locks on both sides



INTERLOCK WIDTH
1"

INTERLOCK WIDTH
0.79"

MULLION WIDTH
4.51" standard
1.87" slim

MULLION WIDTH
4.52" standard
1.87" slim

ADA STANDARDS COMPLIANT

ADA STANDARDS COMPLIANT

ADA STANDARDS COMPLIANT

ADA STANDARDS COMPLIANT

MAXIMUM SASH HEIGHT*
13'1"

MAXIMUM SASH HEIGHT*
9'10"

MAXIMUM SASH HEIGHT*
8'11"

MAXIMUM SASH HEIGHT*
10'7"

MAXIMUM HEIGHT*
9'8"

MAXIMUM SASH WIDTH*
13'1"

MAXIMUM SASH WIDTH*
8'2"

MAXIMUM SASH WIDTH*
10'9"

MAXIMUM SASH WIDTH*
10'9"

MAXIMUM SINGLE SASH WIDTH*
3'9"

*maximum sash area 139 ft²



more

BEAUTIFUL

Discover our vision of beauty, where aesthetics are as important as functionality and safety. With OKNOPLAST systems, you have the freedom to personalize every aspect of your windows. From shape and size to color and final appearance, create a solution that reflects your unique style. Enhance a modern profile with a rich color palette, stylish accessories, and exquisite details. At OKNOPLAST, we believe that true beauty is found in the meticulous attention to detail.



FEATURES
 THAT MAKE YOUR LIFE
 more **BEAUTIFUL.**

COLORS.

Explore endless color options for our aluminum products, where innovative technology unlocks a vast RAL color range. Seamlessly blend uPVC and aluminum elements for impeccable color coordination. Our commitment to both color and quality ensures a durable, aesthetically pleasing finish that withstands harsh conditions. Create unique interiors that reflect your style.

CLASSIC.



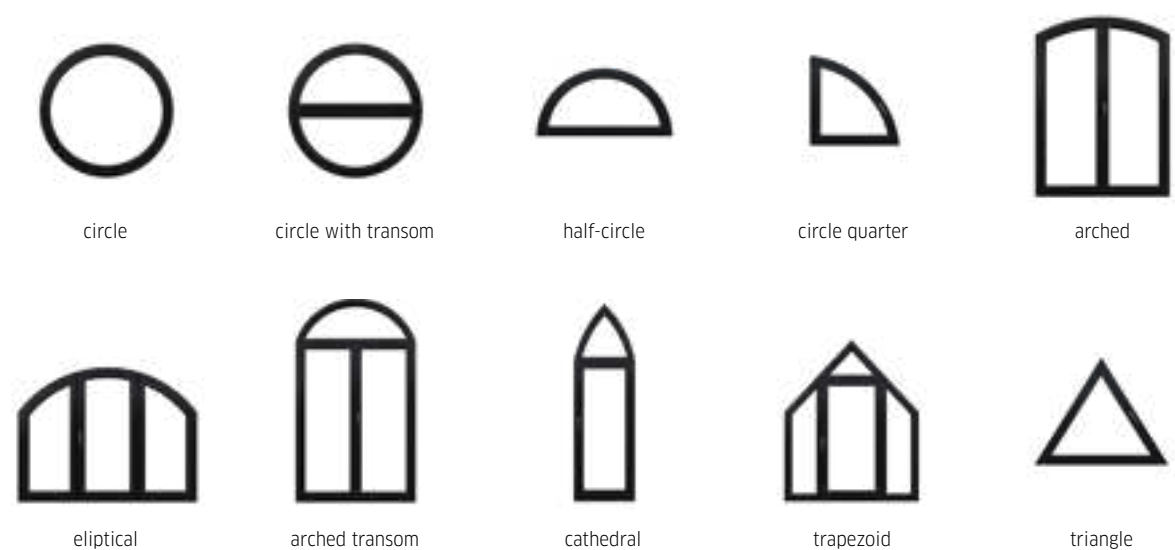
DECORAL.



Choose from a wide range of different additional window color combinations.

UNIQUE SHAPES.

Round, half-round, triangular or other - you decide the final shape. There are also more than 50 different window color combinations to choose from.



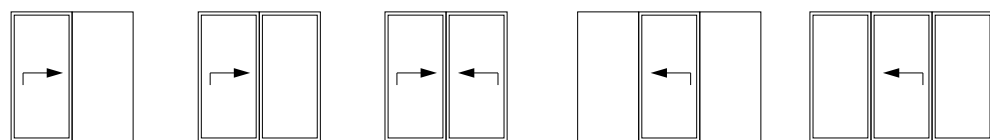
ORNAMENTAL GLASS.

Ornamental glass allows light to permeate the interior of the room, increasing its warmth and depth while maintaining privacy.

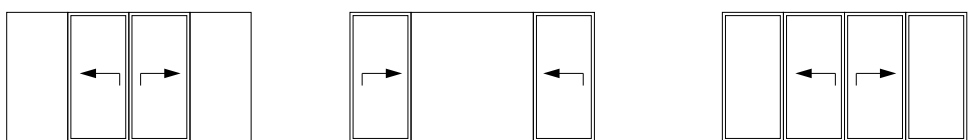


PATIO DOOR OPENING CONFIGURATIONS.

ALUVIEW STANDARD.

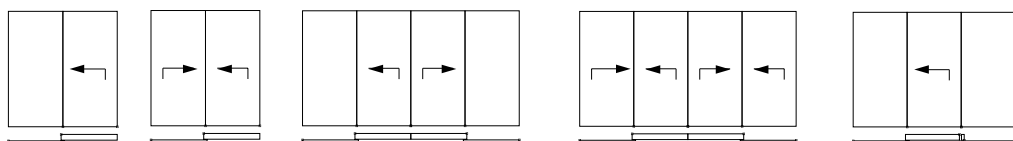


Slide SLIM mono A Slide SLIM A Slide SLIM D Slide SLIM mono G2 Slide SLIM G2

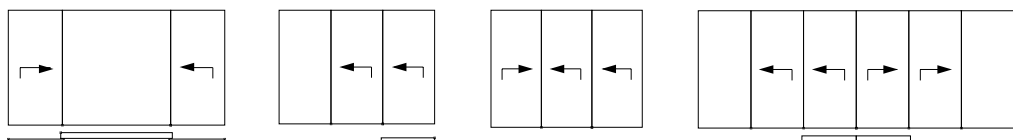


Slide SLIM mono C Slide SLIM mono K Slide SLIM C

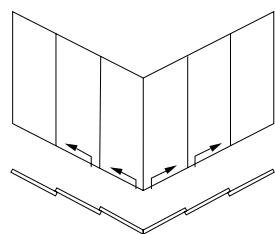
ALUVIEW PREMIUM



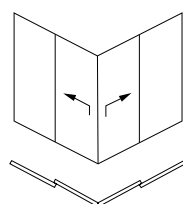
Configuration A Configuration D Configuration C Configuration F Configuration G2



Configuration K Configuration A+G Configuration D+G Configuration C+G+G



Configuration AGGG scheme, corner +90 degrees

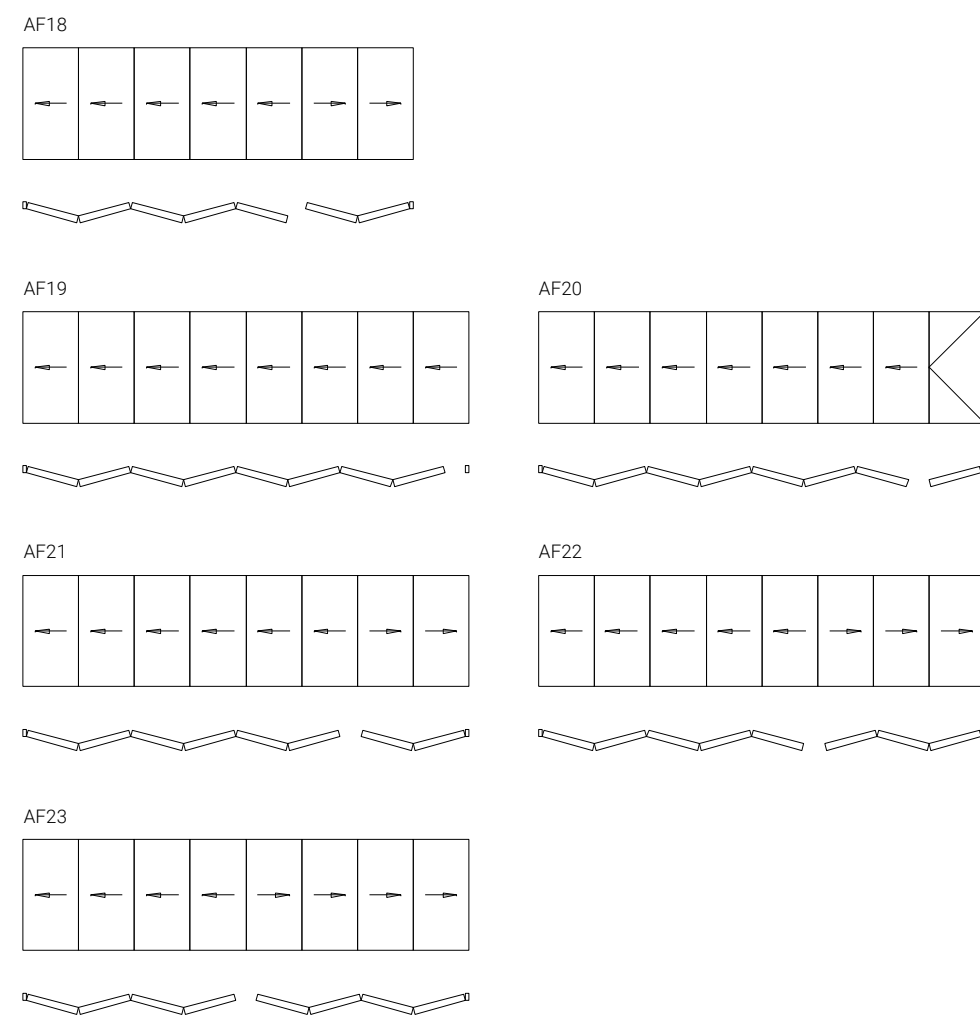
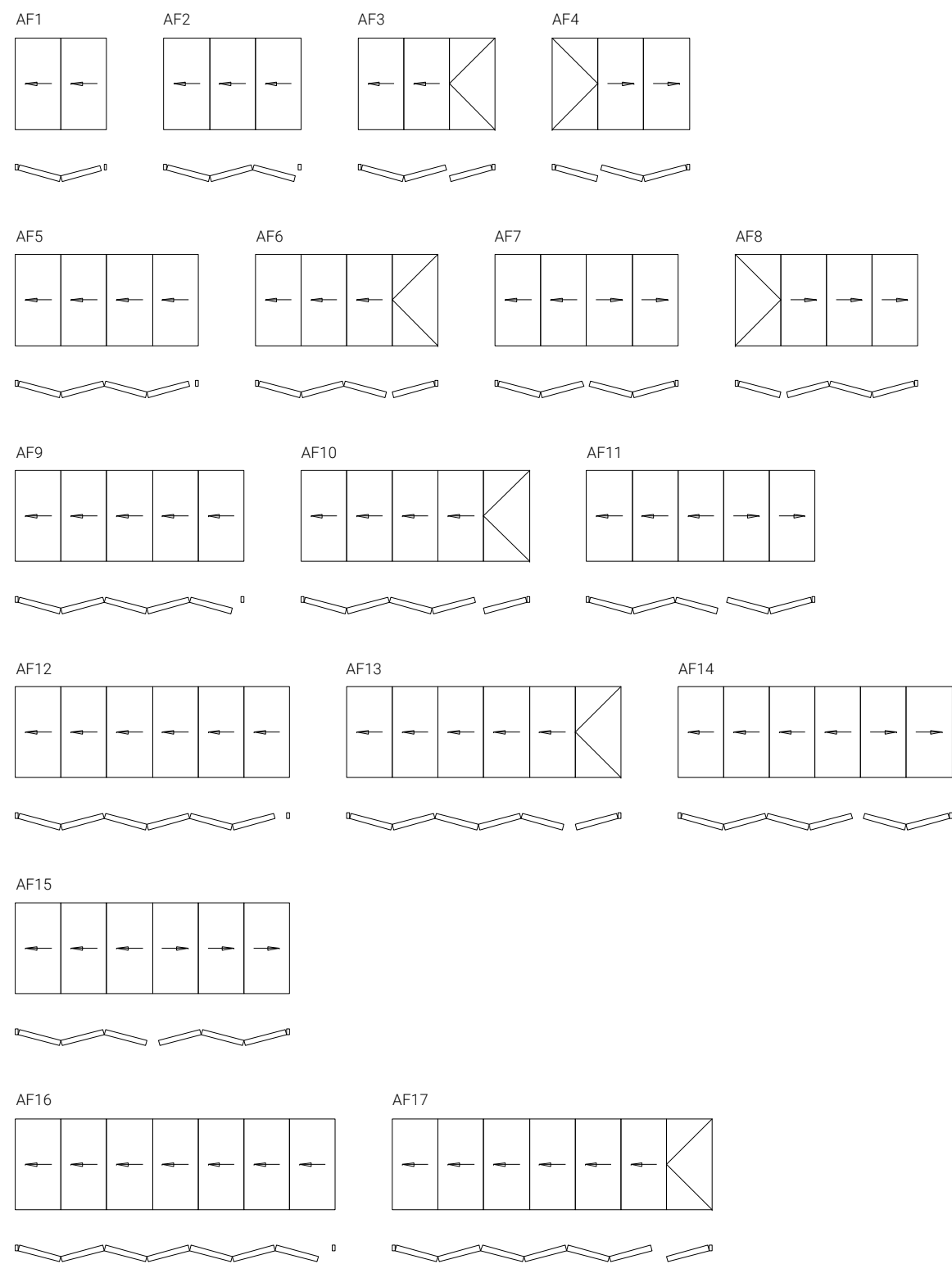


Configuration AG, corner +90 degrees



ALUVIEW PREMIUM patio door

ALUVIEW FOLD.



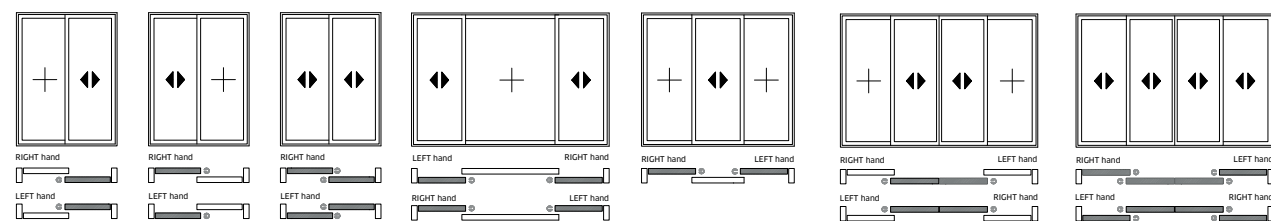
ALUVIEW SKY+ ALUVIEW SKY

Opening possibilities with **MOTORIZED** sashes

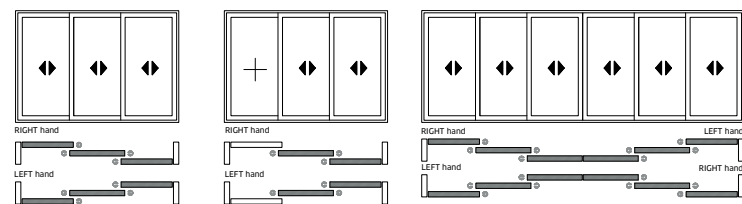
available only in **ALUVIEW SKY+**



Opening possibilities with **MANUAL** sashes

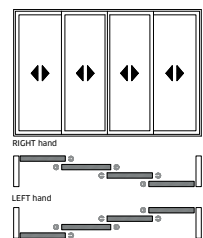


Sash system with **MANUAL** opening and closing - **THREE RAIL FRAME**

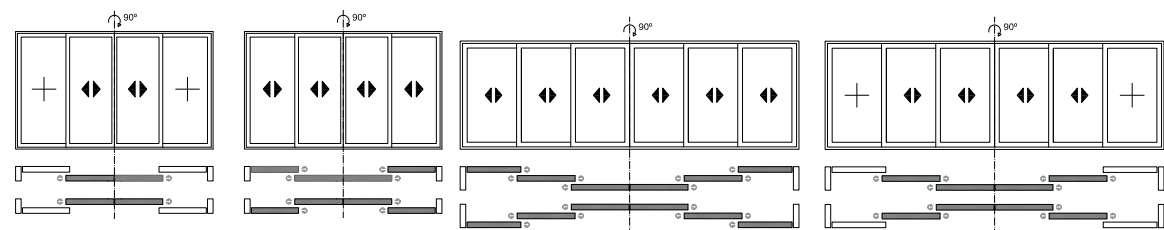


Sash system with **MANUAL** opening and closing - **FOUR RAIL FRAME**

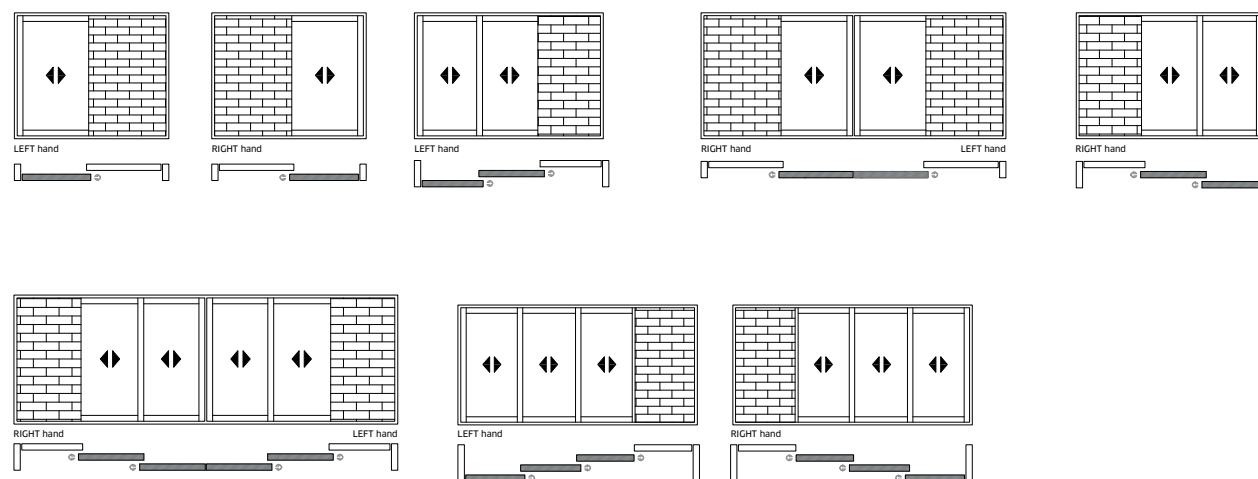
available only in **ALUVIEW SKY+**



Opening possibilities with **MANUAL** sashes - **CORNER joint profile**



Sash system with **MANUAL** opening and closing - **GALANDAGE SYSTEM**





more

SIMPLE

OKNOPLAST's advanced technology makes everyday life simpler. Our systems are distinguished by intuitive operation and trouble-free functioning. What does simpler mean to us? The tilting system in the window allows free and safe ventilation without drafts. Full side opening of the sash means simpler and faster cleaning of the system. Functional accessories like our handle, low sill, and smart solutions are the perfect fit for your needs. It simply couldn't be easier.

EASY OPERATING HANDLE.

All window functions, **opening, tilting for ventilation, and closing for micro-ventilation**, are possible with one ergonomic handle. The shape and color choice is yours.



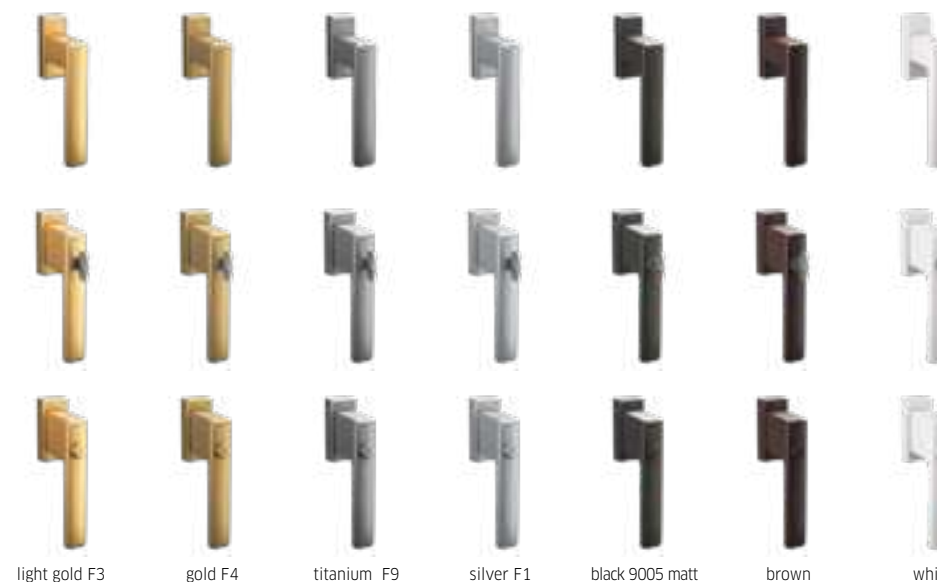
PIXEL.

The PIXEL handle has a square shape which highlights the simple and elegant profile of the window.



ONIX.

The ONIX window handle is crafted from durable aluminum, ensuring smooth operation in everyday use. Its geometric design pays homage to timeless solutions. The handle is available in several versions: with a key for enhanced security, with a button for ease of use, or in a TBT version to minimize the risk of accidental opening of the sash.



FEATURES
THAT MAKE YOUR LIFE
more **SIMPLE.**

DESIGN+

The modern dESIGN+ handle has been designed in collaboration with the renowned design studio KISKA and is exclusively available under the OKNOPLAST brand. Its shape gives it a contemporary, minimalist character. The handle is durable and comfortable to use. With its versatile shades, it seamlessly fits into both modern and traditional interiors. It is also available in a key version.



SLEEK.

Designed in accordance with minimalist trends, the SLEEK handle is a solution dedicated to modern interiors and designer window systems. Made of durable aluminum, it will maintain its unchanging shape and smooth functionality for many years. The handle's unique character is determined by the nearly invisible rosette. Choose between the classic, streamlined design or the geometric, industrial-style model of the SLEEK handle that will accentuate your style.

SLEEK



SLEEK+



MIRU EVO STANDARD window SLEEK handle

BALCONY LATCH.

A hardware component that allows you to comfortably close the balcony door from the outside. The balcony latch is equipped with an elegant and ergonomic handle with an original design and exceptional durability. The handle is made of aluminum.



PATIO DOOR HANDLES.

Crafted from durable aluminum, our windows are built to last, ensuring exceptional longevity. Their elegant design and ergonomic shapes serve as a decorative enhancement for any window.

DEDICATED TO ALUVIEW PATIO DOOR

Internal handles



External finger pull grips



DEDICATED TO ALUVIEW SKY

Recessed handle



Surface mount handle



THRESHOLDS FOR ALUVIEW PATIO DOORS.



THRESHOLD OF ALUVIEW SKY+ PATIO DOOR

The possibility of embedding the lower profile and seamlessly integrating it with the floor finish (such as pallets, pavement, ceramics, etc.) allows for a smooth transition between the interior and exterior of the room, without any obstacles.



FLATSTEP THRESHOLD OF ALUVIEW PREMIUM PATIO DOOR

Thresholds are specifically designed for installation in areas where it is not possible to install a standard threshold flush with the floor. Total height 0.79"



2-RAIL STANDARD THRESHOLD OF ALUVIEW PREMIUM PATIO DOOR

Threshold with exceptional thermal properties and water tightness. Once installed, the part extending beyond the floor level measures only 0.18"



3-RAIL STANDARD THRESHOLD OF ALUVIEW PREMIUM PATIO DOOR

Threshold with exceptional thermal properties and water tightness. Once installed, the part extending beyond the floor level is only 0.18".



STANDARD THRESHOLD OF ALUVIEW SKY+ PATIO DOOR

Thanks to its unique design, the threshold sits entirely beneath the floor level.



THRESHOLD OF ALUVIEW SKY PATIO DOOR

Thanks to its unique design, the threshold is entirely below floor level. Additionally, the option to install a streamlined gutter for rainwater management is available.



THRESHOLD IN ACCORDANCE WITH THE ADA

Our Threshold meets the American's with Disabilities Act Accessibility Guidelines (ADA). With a height of 1/2 inch applicable to veranda and balcony doors (including balcony doors with lock).

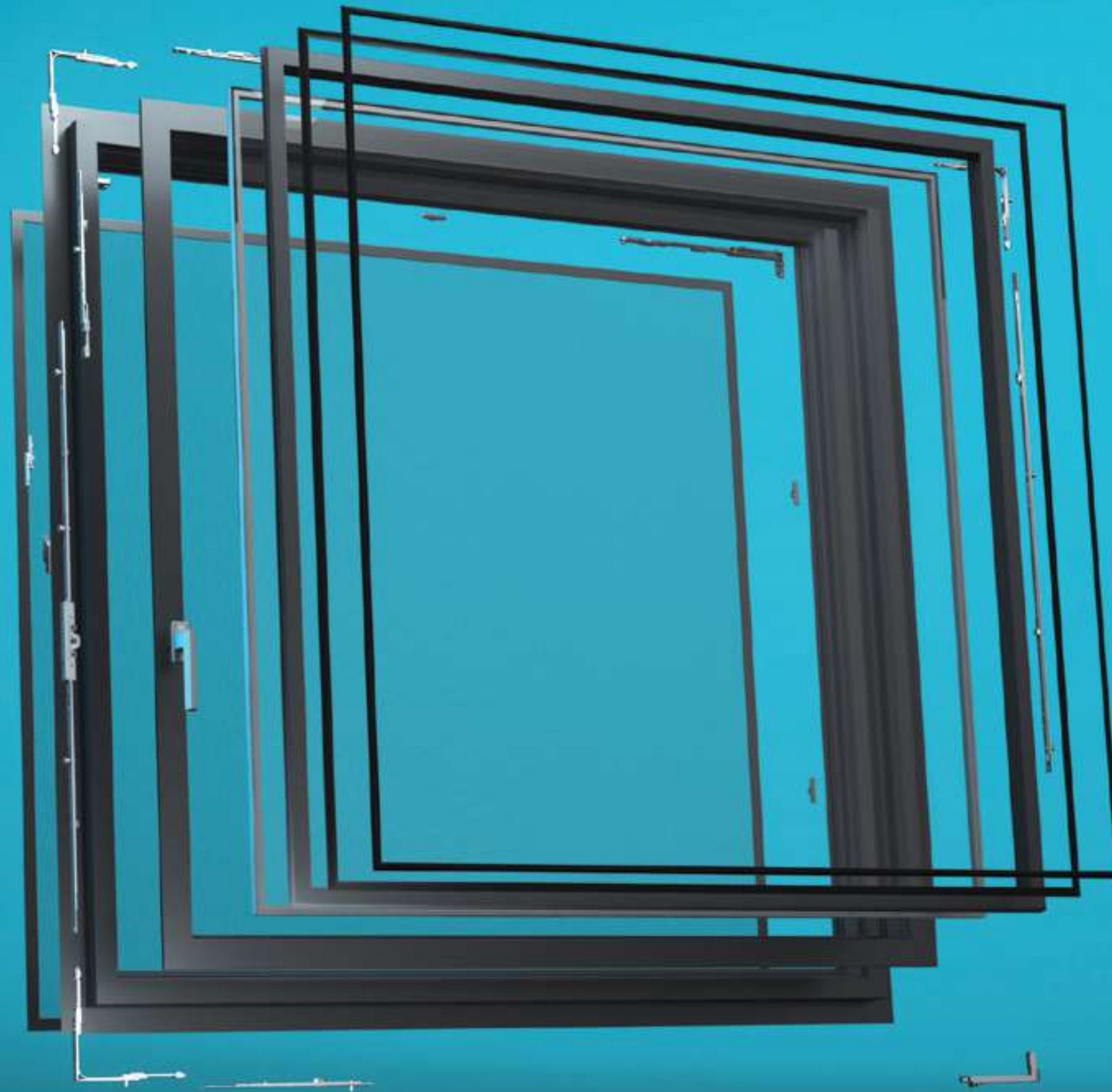


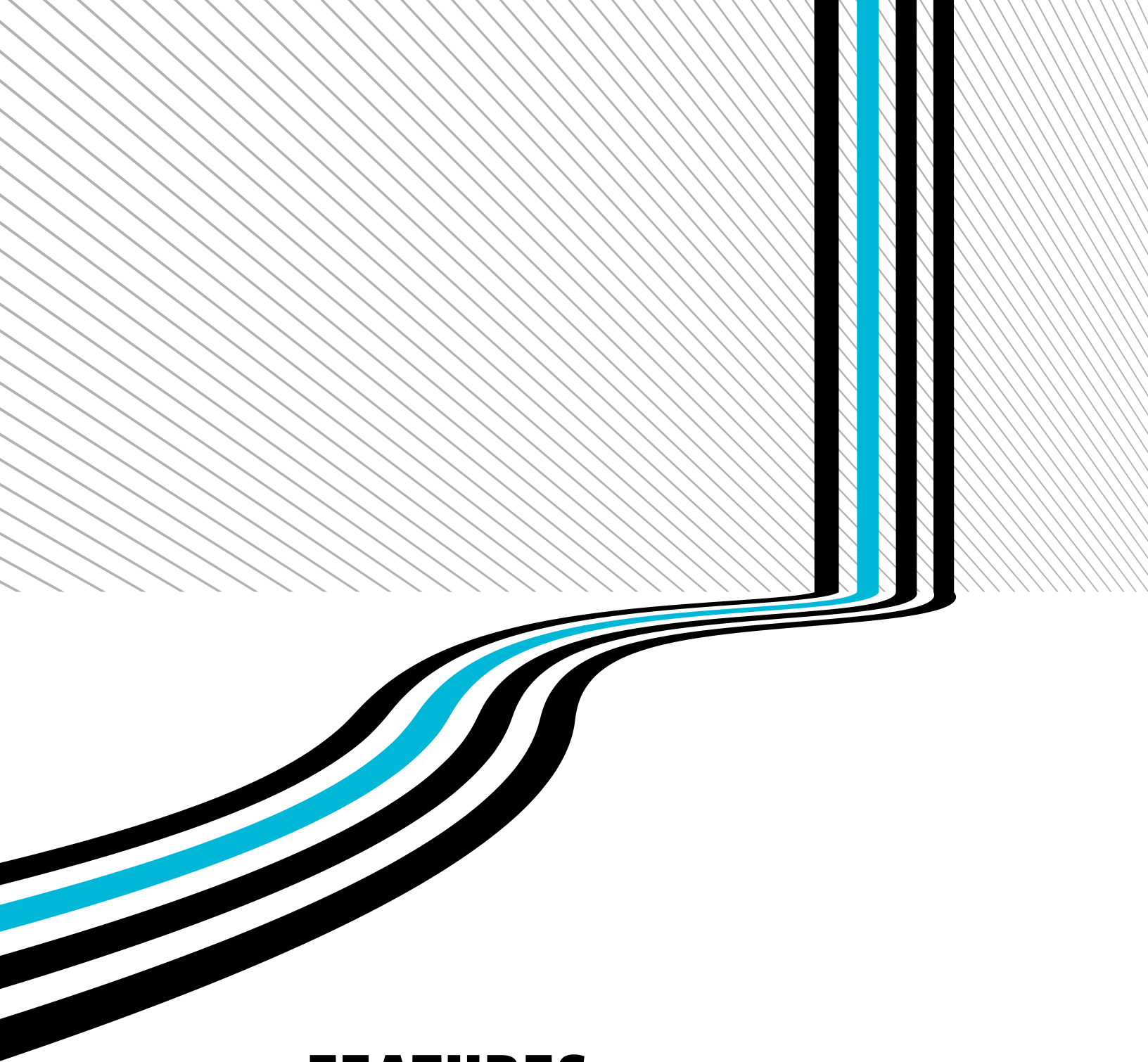
ADA STANDARDS COMPLIANT

more

EFFICIENT

Is it possible to expect more? You should. At OKNOPLAST, we know that in order to provide you with a window of the highest quality, we must continually build a solid connection with our customers. The result of these strong connections is excellent patents that allow you to enjoy even more efficient systems. For example, the best acoustic and thermal insulation performance, and LOW E coating for UV protection, to name a few. Simply more benefits for you.

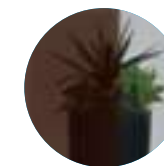




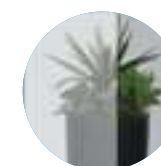
FEATURES
THAT MAKE YOUR LIFE
more **EFFICIENT.**

GLASS OPTIONS.

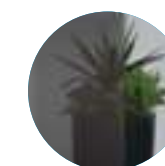
The available glass packages provide numerous possibilities combining security, comfort, and style. For example: tempered glass, and modern low-emission coatings that improve the overall energy balance of the home.



stopsol brown



stopsol clear



stopsol grey

DOUBLE-GLAZED WINDOW UNIT



TRIPLE-GLAZED WINDOW UNIT



WARMATEC.

The new Warmatec glass spacer is a combination of excellent parameters and high aesthetic value. It the formation of a thermal bridge at the interface between the glass and the frame, and consequently reduces the Uw coefficient for the entire window. Warmatec can be used in all OKNOPLAST window systems. It is available in black, brown and grey.



GASKETS.

OKNOPLAST gaskets are characterized by high resistance to moisture, water vapor, and UV rays.





more

SAFE

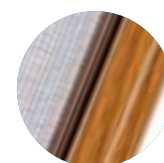
At OKNOPLAST, security is the foundation for designing solutions that provide comfort, stability, and carefree living. We know how to protect what is most important to you. In OKNOPLAST systems, you will find unbreakable and unforgeable security: the most secure hardware, ultra-strong steel reinforcements in the frame, a handle with a key, and high-quality details. We simply want to give you a greater sense of security.

WINDOW SCREENS.

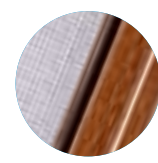
Window screens are matched to the type and color of the window. Thanks to the location of the screen, dirt and insects remain outside without polluting the window structure and the glass, which remains clean longer.



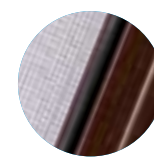
FEATURES
THAT MAKE YOUR LIFE
more **SAFE.**



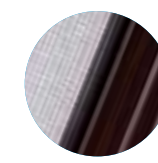
winchester



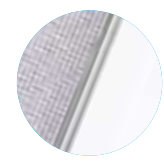
golden oak



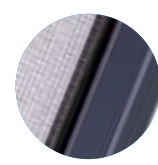
nut-brown



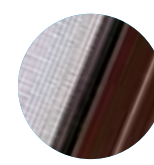
mahogany



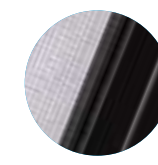
white



RAL 7016



RAL 8017



RAL 9004



PLEATED WINDOW SCREEN.

Is it possible to gain even more comfort? With the OKNOPLAST window screen it is. Opt for a comfortable pleated solution: easy to use and aesthetically pleasing. The screen is attached to the profile of the window and slides like an accordion, which makes it almost completely invisible when fully extended. What's more, you can slide the screen to any height, letting in as much sun as needed. The simple sliding system makes the screen extremely easy to use on a daily basis, and the sturdy aluminum construction makes it a durable solution, giving you peace of mind for years to come. It couldn't be simpler.



FITTINGS.

Thanks to the use of unique solutions, OKNOPLAST fittings allow for easier operation of both window and terrace sashes. They provide safety and comfortable usage for an extensive number of years. Optional completely invisible hinges, hidden between the frame and sash, accentuate the unique shape of the window.

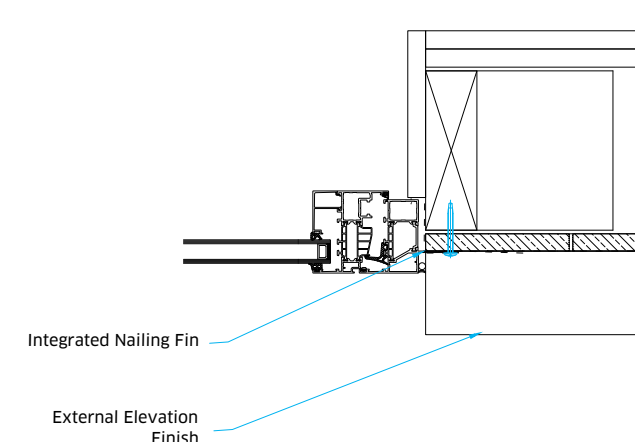
HIGH QUALITY.

Strict manufacturing standards and high quality components make our windows and doors the first choice for customers with high expectations.

ASSEMBLING WINDOWS TECHNIQUES.

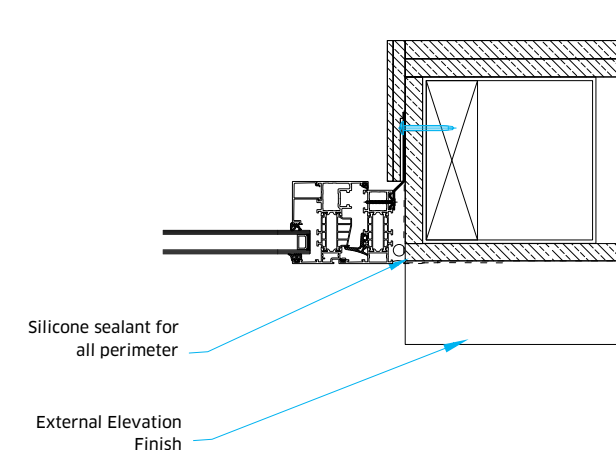
NAILING FIN INSTALLATION.

- This type of installation is suitable for wooden walls where levelness, ease and safety of installation are critical.
- Anchors and screws are not needed. In short, it is used to install windows in window openings.
- Mainly used in new construction and renovations.



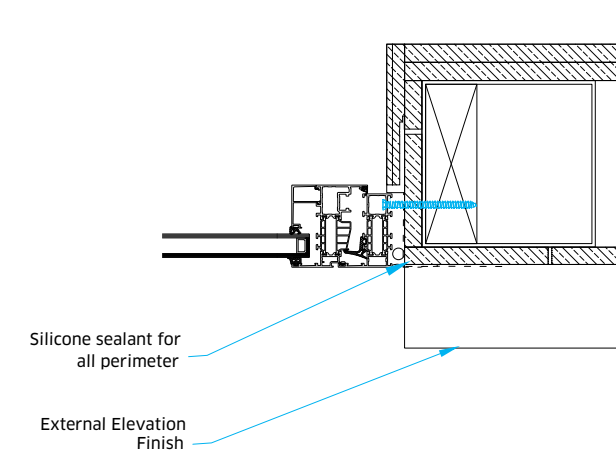
FIXING CLIP INSTALLATION.

A classic method used in brick buildings where nailing is not necessary.




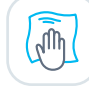






DIRECT BOLT INSTALLATION.

- This installation method is typically effective in buildings where windows are being replaced (replacement windows).
- This is the fastest and best installation method using screws (with two types to choose from).





DISCOVER ^{NEW} FEATURES FOR FRONT DOORS

-  MODERN DESIGN
-  EASY CLEANING
-  SMART SOLUTION
-  THERMAL TRANSMITTANCE
-  HIGH QUALITY
-  SECURITY
-  SUN PROTECTION
-  LOW THRESHOLD

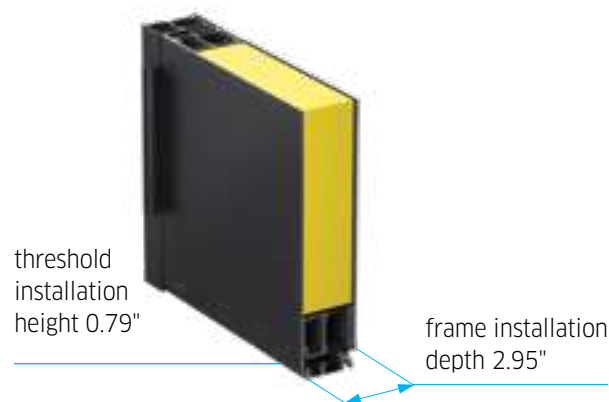
ALUMINIUM FRONT DOOR.



TENVIS DOOR.

Experience the perfect blend of durability, modern design and security with TENVIS doors. Made with aluminum in the door leaf, frame and panel, they are resistant to sunlight and moisture. TENVIS doors are equipped with an automatic lock that secures the door panel at three points without requiring a key. In addition, the 100% aluminum construction is recyclable, reflecting our commitment to the environment.

- Modern design, versatile panel options
- Inward or outward opening
- Electronic access system available
- Use side and top lights
- Secure 3-point lock



MAXIMUM DOOR SIZE
4'3" x 8'1"



Smart
OKNOPLAST



ADA STANDARDS COMPLIANT



TENVIS front door, NERO, 6 panel

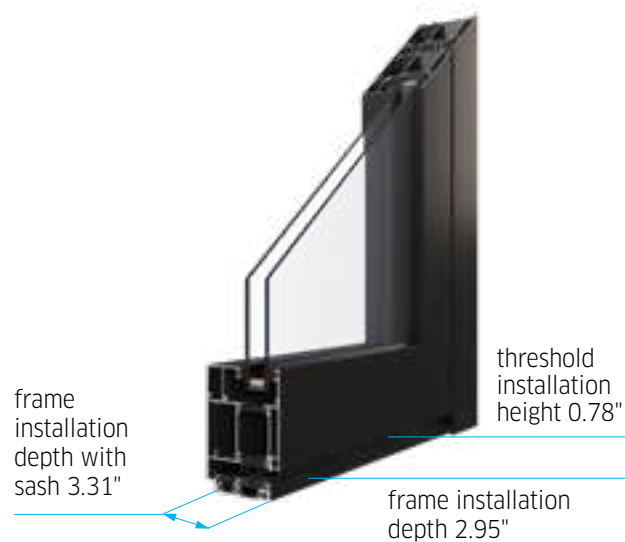
ALUMINIUM FRONT DOOR.



MIRU EVO DOOR.

Enhance the aesthetics and durability of storefronts, multi-family dwellings and commercial spaces with our resilient aluminum and glass doors. They provide a strong and durable solution, exceptional strength and insulation. In addition, our doors can be customized to fit openings.

- Compatible with MIRU EVO STANDARD
- Inward or outward opening
- Option for anti-panic hardware
- Configure as double doors
- Connects to access control system



 **MAXIMUM SINGLE GLASS DOOR SIZE**
4'3" x 9'

 **Smart**
OKNOPLAST

 **ADA STANDARDS COMPLIANT**



MIRU EVO DOOR



TENVIS FRONT DOOR PANEL LINES.

INOX LINE.

Our glazing panels embody modernism, seamlessly complementing bold designs. With a unique style and decorative stainless steel elements, our doors exude elegance.



ADORA
Color: RAL 8017
frosted glass, stainless
steel veneer applications

GEOMETRIC LINE.

Discover our Geometric models with sleek shapes and stainless steel elements in glazed panels. Each design embodies a harmonious arrangement of decorative elements, creating a clean and modern aesthetic.



TIBERIUS
Color: DECORAL Winchester
frosted glass, stainless steel veneer
applications, surface milling

FUTURA LINE.

Futuristic panels that effortlessly blend with modern architecture. With geometric milling and stainless steel elements, they add a contemporary and stylish touch to any space.



HUBERTUS
Color: RAL 9005
stainless steel veneer
applications

GROOVE LINE.

Experience the seamless integration of our panels with a futuristic design into modern architectural solutions. Their contemporary form is further enhanced by precise geometric milling, adding a touch of sophistication to any space.



TALUS
Color: RAL 3004/9005
surface milling

FEATURES
THAT MAKE YOUR LIFE
more **BEAUTIFUL.**

CLASSIC LINE.

Glazed panels featuring classic, geometric patterns. Their elegance is rooted in the art of moderation and the simplicity of shapes. With a timeless design, these panels seamlessly enhance both classic and modern buildings.



RAISA
Color: Grau Grunge
frosted glass

INTARSIO LINE.

Panels adorned with distinctive three-dimensional stainless steel elements. The interplay of diverse surfaces lends a dynamic character to the doors. With a wide array of patterns to choose from, the Intarsio series is an ideal selection for buildings of various styles, offering unparalleled versatility and style.



ALBAN
Color: RAL 1013
frosted glass, three-dimensional
stainless steel applications



Scan the QR code to see a wide range of aluminum front doors.

NATURA LINE.

Glazed panels, inspired by shapes with arches and curved lines, effortlessly blend into the natural landscape. Stainless steel decorative elements add an elegant and modern touch, creating a harmonious and stylish appearance.



LUCIUS
Color: RAL 7022
frosted glass, stainless steel veneer
applications, surface milling

VERGE LINE.

Panels with glazing are distinguished by a decorative black frame made of tempered glass. This remarkable detail gives the door a unique character and unobtrusive elegance.



PATRICIUS
Color: RAL 9006
frosted glass, surface milling,
applications made of black ESG glass

NERO LINE.

Stylish and exclusive doors designed with black frames and black accessories. The unique design showcases carefully selected models of exterior doors with deep black applications.



NERO 12
Color: Woodec Toffee
an application of deep black

MERGO LINE.

The Mergo line features modern, integrated handles with captivating LED lighting. Door panels offer customization options, blending style, and practicality with stainless steel accents and intricate details.



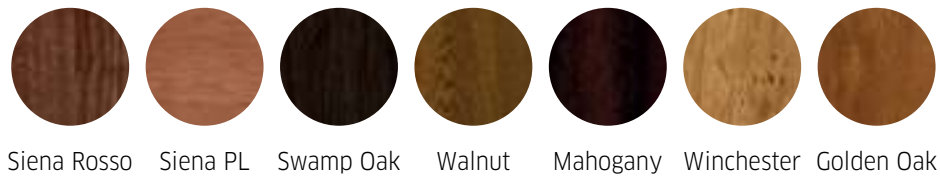
MERGO 8
Color: RAL 7016
recessed and panel-integrated
handle, 4'3" panel-integrated,
painted in fill color

COLORS.

CLASSIC.



DECORAL.



Choose from a wide range of different additional window color combinations.

All colors from both the RAL palette and the DECORAL group are available as choices.

DECORAL is a process for improving the aesthetics of aluminum profiles and surfaces, which allows for the application of various patterns to the surface of the profiles, including those resembling stone or metal. The use of this technique not only provides spectacular visual effects, but is also proof that our doors are actually made of materials resistant even to the highest temperatures.


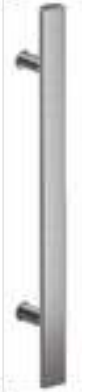




TENW's front door, NERO 12 panel

FRONT DOOR HANDLES AND PULL HANDLES.

A wide range of designs and colors of handles and pull handles that give the entrance a unique character.

EXTERNAL PULL HANDLES.

			
P 1 0	D P 1 0	D P 1 0 - S 2	Q 1 0 *
16 in. 24 in. 32 in. 39 in. 47 in. 55 in. 63 in. 71 in. 79 in. 87 in.	24 in. 32 in. 39 in. 47 in. 55 in. 63 in. 71 in. 79 in. 87 in.	24 in. 32 in. 39 in. 47 in. 55 in. 63 in. 71 in. 79 in. 87 in.	24 in. 32 in. 39 in. 47 in. 55 in. 63 in. 71 in. 79 in. 87 in.

					
Q 9 0	Q 9 0 C	Q 9 0 C	Q 9 0 C	P 1 0 D	P 1 0 D
24 in. 32 in. 39 in. 47 in. 55 in. 63 in. 71 in. 79 in. 87 in.	24 in. 32 in. 39 in. 47 in. 55 in. 63 in. 71 in. 79 in. 87 in.	24 in. 32 in. 39 in. 47 in. 55 in. 63 in. 71 in. 79 in. 87 in.	24 in. 32 in. 39 in. 47 in. 55 in. 63 in. 71 in. 79 in. 87 in.	24 in. 32 in. 47 in. 63 in.	24 in. 32 in. 47 in. 63 in.

DOOR HANDLES.

			
white RAL 9016	anode	stainless steel coating	black RAL 9005
			
white RAL 9016	anode	stainless steel coating	black RAL 9005

	
P 4 5 B	P 1 0 B
24 in. 55 in.	24 in. 55 in.



TENVIS front door, VITUS panel, P45B external pull handle

*Option to order a touch sensor with backlighting or an unlit button.
**The button and sensor are available for all grips except P10D/1600 and P45B and P10B.

FEATURES
 THAT MAKE YOUR LIFE
 more **SAFE.**

SECURITY LATCH.

This door jammer enables you to partially open the door. To fully open the door, simply turn the knob once more.



CONCEALED HINGES.

These hinges, adjustable in three planes, offer an exclusive solution to enhance the aesthetic appeal of your door. They effectively conceal the fittings from view, both on the exterior and interior sides.



HANDRAIL WITH TOUCH SENSOR / HANDRAIL WITH PUSH BUTTON.

The combination of a touch sensor/handle button with a secure electric lock in espagnolettes ensures convenient operation. By simply touching the pull handle, the doors can be easily opened. Once the door is manually closed or through the use of a door closer, it automatically locks again.



CONCEALED DOOR CLOSER.

Our hidden door closer offers a seamless blend of functionality and stunning aesthetics. It remains entirely concealed within the leaf plate, with only the sliding rail visible when the door is open. The standard version of our hidden door closer allows for precise adjustment of the hold-open position, offering a range from 80 to 120 degrees with infinite variability.



CHOOSE AUTOMATICALLY LOCKING DOORS.

SECURY AUTOMATIC LOCK 'WITH A CLICK'.

Unlocking can be achieved from either the outside by turning the key or from the inside by simply using the door handle.

Advantages of the lock:

- significantly increased protection against burglary
- no deformation of the door sash occurs, even with increased temperatures, thanks to the multipoint lock maintaining alignment with the door frame
- double-sided latches – can be used for left and right hand doors
- a wide range of accessories.



secury automatic lock 'with a click'

SECURY AUTOMATIC LOCK WITH ELEKTROMATIC.

With SECURY COMFORT and an electric key, the unlocking is done from the outside without contact. After the door is closed, it is secured with multipoint locking.

Advantages of the lock:

- improved burglary protection
- no deformation of the door sash occurs, even with increased temperatures, thanks to the multipoint lock maintaining alignment with the door frame
- easy to open – no need to use force to reverse the bolts by turning the key.

The fixed frame design enhances the solution's resistance against burglars, while an electric motor effortlessly retracts the bolts into the door leaf. Additionally, an extra layer of control can be added on the outside with a biometric reader or a touch sensor integrated into the handle. For added convenience, remote control via a smartphone application is available as an optional feature.

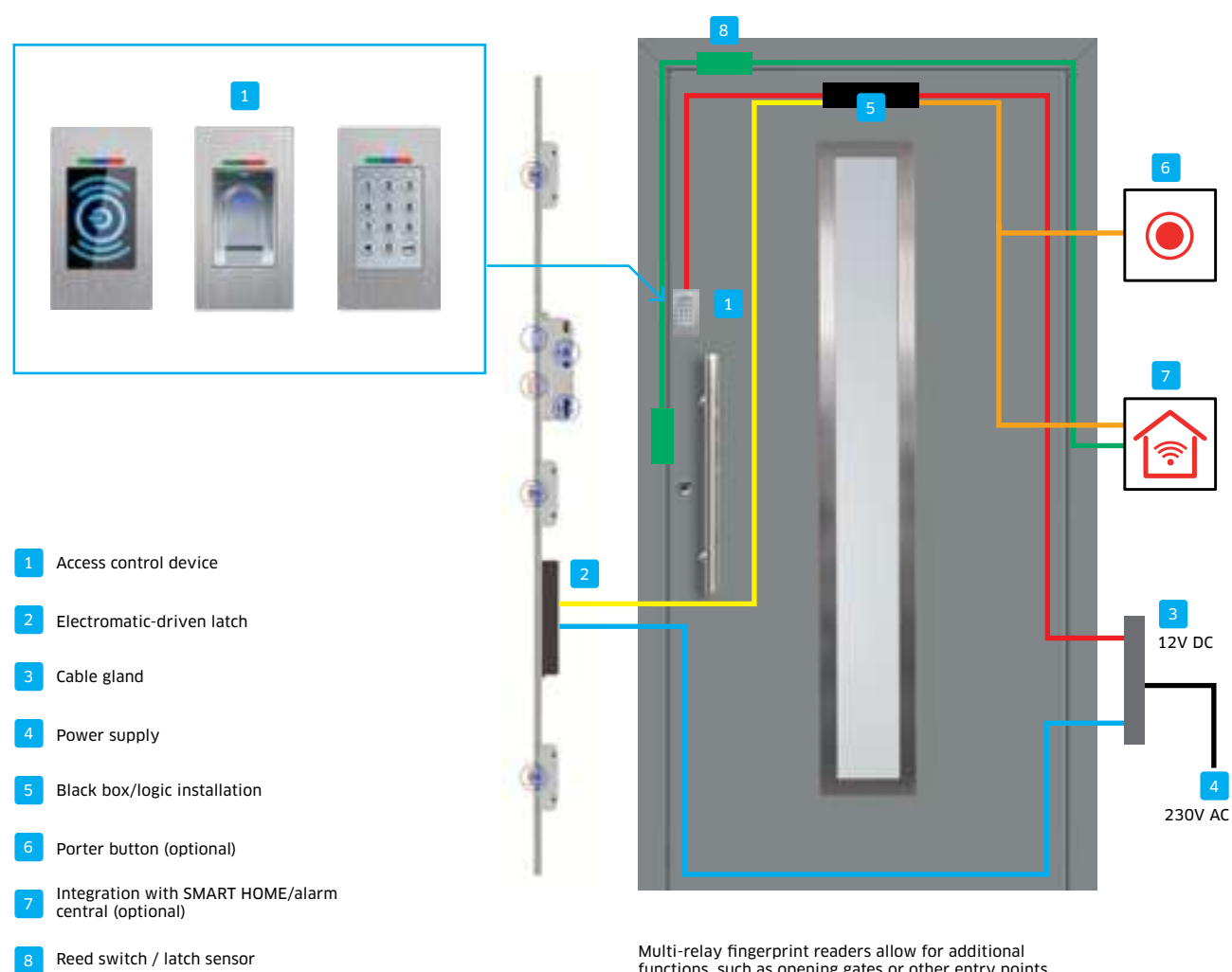


secury automatic lock with elektromatic



WELL-CONSIDERED SECURITY.

We have implemented a coding process that ensures the utmost security as a standard practice, leaving no room for any potential manipulation risks. By fully enclosing the access control elements within the door, we effectively eliminate the possibility of unauthorized tampering or manipulation.



FINGERPRINT READER.

- Features: Fingerprint access control.
- Administration with remote control or the administrator's fingerprint.
- Available with two relays (e.g. second finger unlocking function) or a control panel output.
- Memory for 150 fingers.
- Dimensions: 1.77 x 2.95 in.



NUMERIC KEYPAD.

- Features: Access control by means of a 4-6 digit code.
- Available with two relays (e.g. gate opening) or a control panel output.
- Any attempted unauthorized access activates the locking mechanism.
- Dimensions: 1.77 x 2.95 in.



RFID READER.

- Features: Access control using a key fob or card close to the reader.
- Simple configuration with a MASTER key fob.
- Master key fob and 1 user key fob included.
- Memory for up to 150 key fobs, cards, or users.
- Dimensions: 1.77 x 2.95 in.



EKEY DLINE FINGERPRINT READER.

- Ability to connect to the network via Wi-Fi.
- Remote administration, remote door opening, and creating time intervals for access.
- Mounting on both the door leaf and the handle.
- Opening using fingerprint recognition (up to 20 users).
- Opening using a smartphone near the door.
- Remote opening/access (via Wi-Fi connectivity).
- Intuitive administration through a smartphone (remote management of permissions, push notifications in case of door opening).
- Smart home connectivity.



SOREX UNILOCK READER.

- Access options:
 - > Fingerprint recognition
 - > Keypad entry using a code
 - > RFID reader using key fobs
 - > Utilizing unlimited electronic keys generated through the application
- The product connects to the internet via the included module (choice of Wi-Fi or LAN).
- Each set includes 1 RFID key fob (with the option to purchase more).
- Through internet connectivity, users can remotely open doors or generate access codes (with the option for time-limited access).
- The device is mounted exclusively on the panel.

PROFESSIONAL HOME SECURITY SYSTEM TEDEE.

Tedee offers advanced security features such as access history monitoring, the ability to create temporary access codes for guests, door opening notifications, and much more. This system provides users with greater control over their home's security and offers a convenient and intelligent access control solution. A complete security kit consists of several components that together create an intelligent solution for access control and door security.



SMART LOCK.

The main element of the system is the Tedee Smart Lock. This advanced lock operates on batteries and can be controlled using a mobile application. You can remotely open and close the doors, monitor the lock's status, and grant access to other individuals through the app.



KEYPAD.

Keypad tedee is a modern solution that provides secure door opening using a code. Now, you can easily share access with others without the need for any additional devices.



TEDEE BRIDGE.

The Tedee Bridge serves as the communication interface between the Tedee lock and your mobile device. By connecting the bridge to your Wi-Fi network, you can remotely control the lock using the Tedee app.

POWER ADAPTER AND CHARGING CABLE.

Tedee provides a power adapter and charging cable necessary for charging the lock's batteries.





TENVIS front door, MERGO 5 panel

MEDIA ABOUT US.



„At OKNOPLAST'S production site outside Krakow, Poland, windows of all shapes and sizes are stacked up ready for delivery - and they all have homes to go to.”



„This is just one day's production: 5000 windows by Polish company run by the new breed of entrepreneurs”



OKNOPLAST Group is a dynamically developing international company in the top of PCV window and door manufacturers in Europe.”



„OKNOPLAST is uniquely positioned [...] among the many Polish window manufacturers”.



„Operating in 10 markets, with a strong position in Italy [...] OKNOPLAST is a leading brand in the segment of PVC windows. It combines design and innovation (...)”.



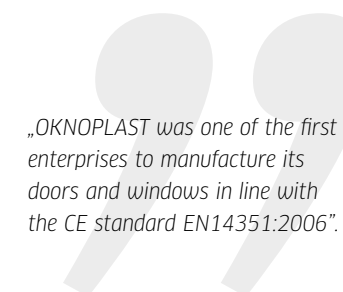
„In 10 years our company wants to become a global brand, a big player on many continents such as Australia, the Middle East, North America [...]”



„[...] OKNOPLAST has seen impressive growth in France: from a turnover of 2m euro in 2010 to 20m in 2013. Growth of 50% is planned for 2014”.



„Innovation has been our thing right from the start. In the history of our company we have implemented some 30 innovations”.

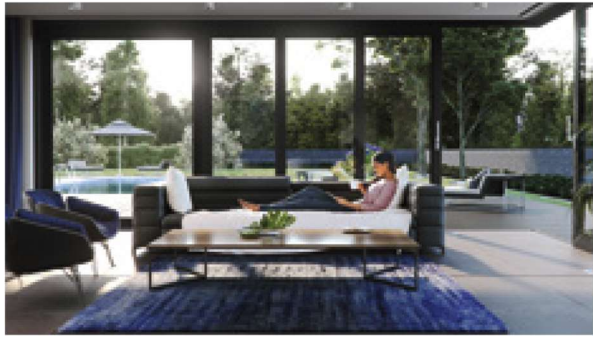


„OKNOPLAST was one of the first enterprises to manufacture its doors and windows in line with the CE standard EN14351:2006”.

**WARRANTY.
STRONG BRAND.
SERVICES.
DELIVERY.
QUALITY.**



OUR PRODUCTS IN COMMERCIAL AND RESIDENTIAL PROJECTS



CONTACT TO DEALER:



Contact info

Tel: (267) 314-7757

E-mail: info@ardmor.com

www.ardmor.com

Showroom location

1813 Easton Rd, Willow Grove,
PA 19090